

**FEATURES:**

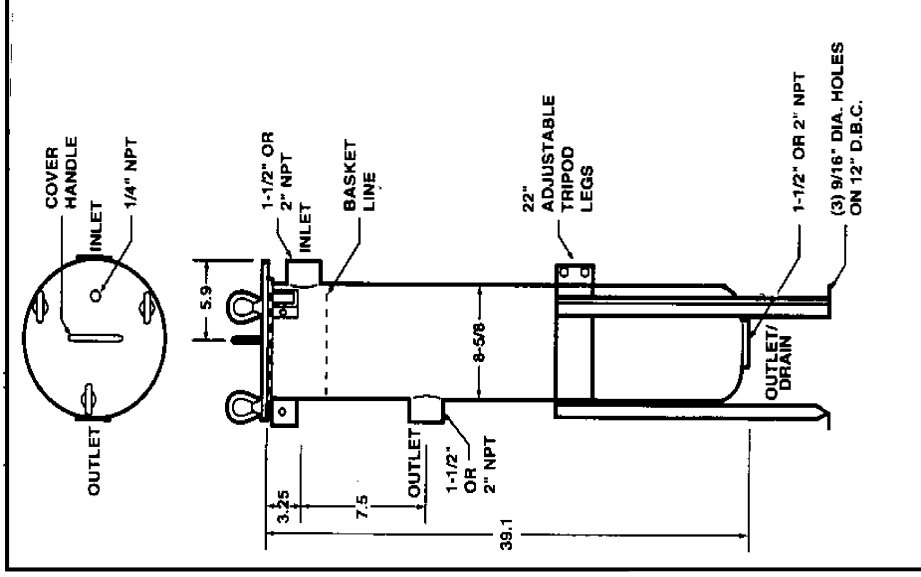
- LARGE DIRT-HOLDING CAPACITY
- RATED TO 150 PSI
- FOR FLOW RATES UP TO 100 GPM\*
- 1/4" NPT VENT CONNECTION
- UNISTYLE DESIGN (SIDE AND BOTTOM OUTLETS)
- COVER IS SEALED WITH O-RING
- ELECTROPOLISHED
- FOR SIZE 1 OR 2 FILTER BAGS
- ADJUSTABLE LEG ASSEMBLY INCLUDED
- HEAVY-DUTY BASKET, OVER 50% OPEN AREA
- CARBON STEEL OR 304 STAINLESS STEEL

**Filter Selection Surface Area is:**

Size 1 Bag: 2.0 square feet

Size 2 Bag: 4.4 square feet

\*Based on housing only. Fluid viscosity, filter bag used, and expected dirt loading should be considered when sizing a filter.



| MODEL                            | CONNECTION SIZE | OUTLET STYLE | PRESSURE RATING | HOUSING MATERIAL        | COVER SEAL | BASKET TYPE           |
|----------------------------------|-----------------|--------------|-----------------|-------------------------|------------|-----------------------|
| 930296<br>Fits size 2 filter bag | 2" NPT          | UNISTYLE ( ) | 150             | 304 STAINLESS STEEL (S) | VITON (V)  | FILTER BAG BASKET (B) |
|                                  |                 |              |                 |                         |            |                       |